

# The Topanga

## Wall Mount



The go-to for American-made, handcrafted lights.  
A family-owned business, comfortable making things the old fashioned way.

### Dome



**DOMES:** (C14) Classic 14" Dome

**MOUNT:** Choose between 11" straight arm, 11" gooseneck, 16" gooseneck, 23" gooseneck, or upward sloping gooseneck

**SOCKET:** 120V Medium Base Porcelain Socket and 6ft of Wiring. Comes with a threaded Covernut and Gasket for a secure and water proof seal

**MOUNTING HARDWARE:** (BP12) Heavy Duty 4" Die Cast Base Plate with Gasket and Screws (fits with a 4" Round Electrical Box)

### Parts Included

**CUSTOMIZABLE:** From the shape and the size to the interior color, you can decide what fits best into your vision and we can make it happen.

**ALL-WEATHER:** Built to last and withstand any storm the outside - or inside - world throws its way.

**STEEL CONSTRUCTION:** Expertly spun using 18 gauge steel and strong enough to make a lasting statement.

**FAST & FREE SHIPPING:** We move quickly so your timelines can too - free shipping within 24 hours in the continental US!

**APPLICATION:** Exterior garage walls, barn sides, or overlooking porches and patios.

### Features



### Mounts



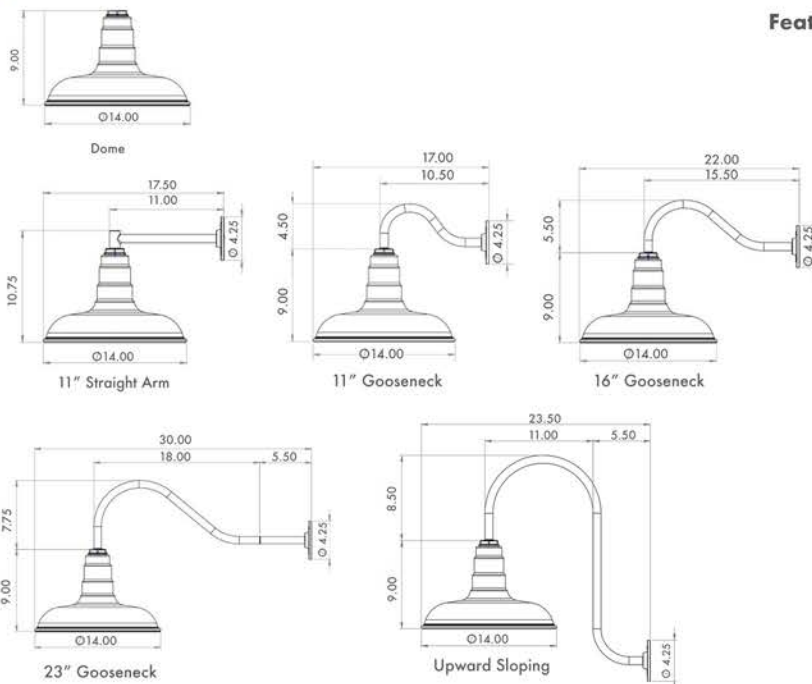
### Colors



Galvanized option not available on straight arm mounts

Custom colors are available for an additional fee. Please provide a RAL number

### Dimensional Data



Choose each item specification to breakdown the SKU numbers for your order below

### Ordering Information

C14	Color	Mount	Color	Mounting Hardware	Color	Electrical Box (optional)	Color	LED Bulb (optional)
	00 04	GB01	00 04	BP12 - Standard 4" Mounting Plate	00 04	RB05 - 4" round die cast electrical box	00 04	LFLA - LED Bulb
	01 06	GB04	01 06	LP12 - Larger 6" Mounting Plate	01 06		01 06	
	1M 08	GB05	1M 08		1M 08		1M 08	
	03	GB06	03		03		03	
		ST11						

### Optional Accessories

**Electrical Box (RB05):** 4" round die cast electrical box which is powder coated to match your fixture.

**LED Bulb (LFLA):** 800 Lumen Filament LED Medium base screw-in bulb.

**6" Mounting Plate (LP12):** A larger mounting plate if the standard 4" mounting plate is too small.