

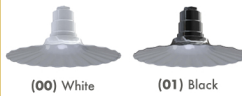
# The Highland Park

## Wall Mount



The go-to for American-made, handcrafted lights.  
A family-owned business, comfortable making things the old fashioned way.

### Dome



(00) White (01) Black

**DOMES:** (R16) Radial Wave 16" Dome

**MOUNT:** Choose between 11" straight arm, 16" gooseneck, 23" gooseneck, or upward sloping gooseneck

**SOCKET:** 120V Medium Base Porcelain Socket and 6ft of Wiring. Comes with a threaded Covernut and Gasket for a secure and water proof seal

**MOUNTING HARDWARE:** (BP12) Heavy Duty 4" Die Cast Base Plate with Gasket and Screws (fits with a 4" Round Electrical Box)

### Parts Included

**CUSTOMIZABLE:** From the shape and the size to the interior color, you can decide what fits best into your vision and we can make it happen.

**ALL-WEATHER:** Built to last and withstand any storm the outside - or inside - world throws its way.

**STEEL CONSTRUCTION:** Expertly spun using 18 gauge steel and strong enough to make a lasting statement.

**FAST & FREE SHIPPING:** We move quickly so your timelines can too - free shipping within 24 hours in the continental US!

**APPLICATION:** Exterior garage walls, barn sides, or overlooking porches and patios.

### Features



### Mounts



(ST11) 11" Straight Arm (GB04) 16" Gooseneck

### Colors



(1M) Matte Black (03) Green



(04) Dark Bronze (06) Red



(08) Galvanized (RAL) Custom

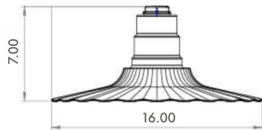
Galvanized option not available on straight arm mounts

Custom colors are available for an additional fee. Please provide a RAL number

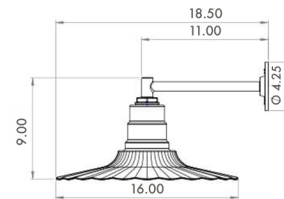


(GB01) 23" Gooseneck (GB05) Upward Sloping

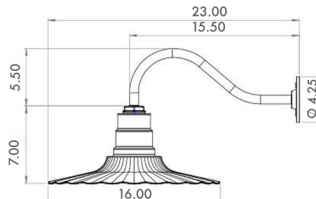
### Dimensional Data



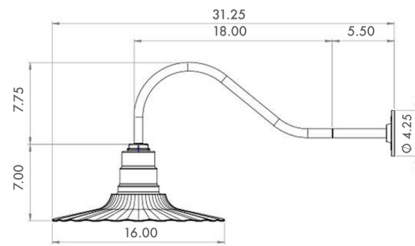
Dome



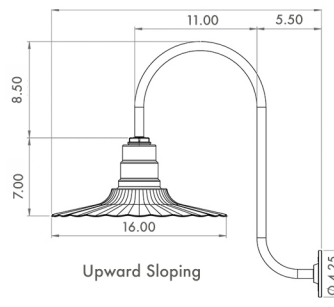
11" Straight Arm



16" Gooseneck



23" Gooseneck



Upward Sloping

Choose each item specification to breakdown the SKU numbers for your order below

### Ordering Information

R16	Color	Mount	Color	Mounting Hardware	Color	Electrical Box (optional)	Color	LED Bulb (optional)
	00 04	GB01	00 04	BP12 - Standard 4" Mounting Plate	00 04	RB05 - 4" round die cast electrical box	00 04	LFLA - LED Bulb
	01 06	GB04	01 06	LP12 - Larger 6" Mounting Plate	01 06		01 06	
	1M 08	GB05	1M 08		1M 08		1M 08	
	03	ST11	03		03		03	

### Optional Accessories

**Electrical Box (RB05):** 4" round die cast electrical box which is powder coated to match your fixture.

**LED Bulb (LFLA):** 800 Lumen Filament LED Medium base screw-in bulb.

**6" Mounting Plate (LP12):** A larger mounting plate if the standard 4" mounting plate is too small.